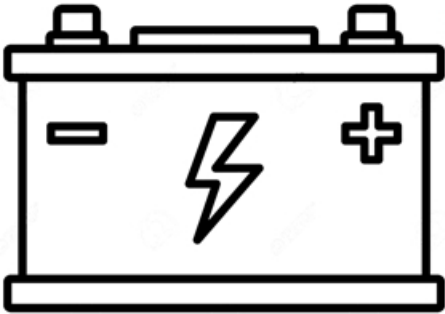




# 0WK Quad Compressor Wiring Kit



Mount circuit breaker under hood, close to battery

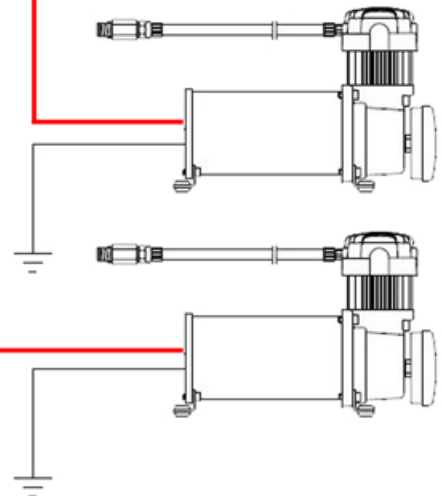
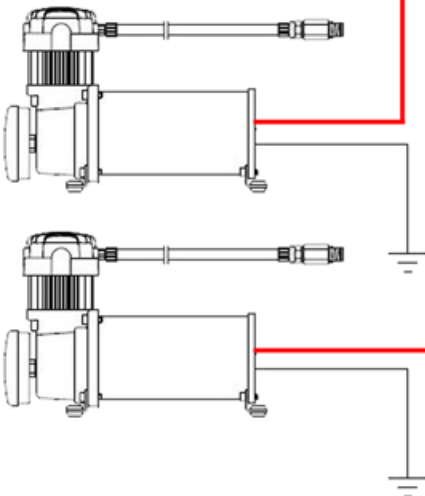
0 gauge wire from battery to trunk

4 gauge wire from distribution block to relays



Red wires from compressors to large lug on relays

Red wires from compressors to large lug on relays



To chassis ground

Pressure Switch (not included with wiring kit)

To ignition switch